

## 多样换盖，完美呈现

Perfectly poised, multiple LED color options available



## Features:

- Small size.
- Right angle and vertical PCB terminal.
- Choice of painted colored caps.
- Laser marking service.

## 产品特点

- 小巧精品
- 经典90度直角设计
- 客制化帽盖选择，喷漆色盖&镭射雕刻服务
- 可少量订购

## Applications

- Studio equipment.
- Audio/Video products,
- Broadcast system,
- Instrumentation,.
- Telecommunications ...etc.

## 使用范围

- 音响、影像等录音室器材设备
- 广播系统、电信仪器设备

# PLA

## General Specifications: (产品规格)

Circuit: 1P2T, 2P2T Lock/Non-lock action with LED

Contact Rating: 0.1A 30V DC/0.1mA 5V DC

Contact Resistance: 50mΩ Max. 1.5V DC/100mA  
by method of voltage drop

Insulation Resistance: 100MΩ Min 250V DC

Dielectric Strength: Breakdown is not allowable;  
250V AC for 1 minute

Actuation Force: 250±100gf

Total Travel: 2.0mm ±0.3mm

Operating Life: 50,000 cycles

Operating Temperature: -20°C to 70°C

## Material: (产品材质)



Frame: Polyamide(PA)+GF

Actuator: Polyamide(PA)+GF

Base: Polyamide(PA)+GF

Terminal: Brass with silver plating

## LED Specifications:

Color	V		Recommended Operating Current	VF	
				Nom	Max
Red	DC 5V	20mA	20mA	1.7V	2.4V
Green	DC 5V	20mA	20mA	1.9V	2.4V
Yellow	DC 5V	20mA	20mA	1.9V	2.4V
Blue	DC 5V	20mA	20mA	3.0V	3.6V
White	DC 5V	20mA	20mA	3.0V	3.6V

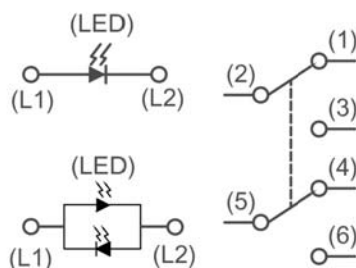
For the specification about the other LED colors, Please contact with sales department.

## HOW TO ORDER

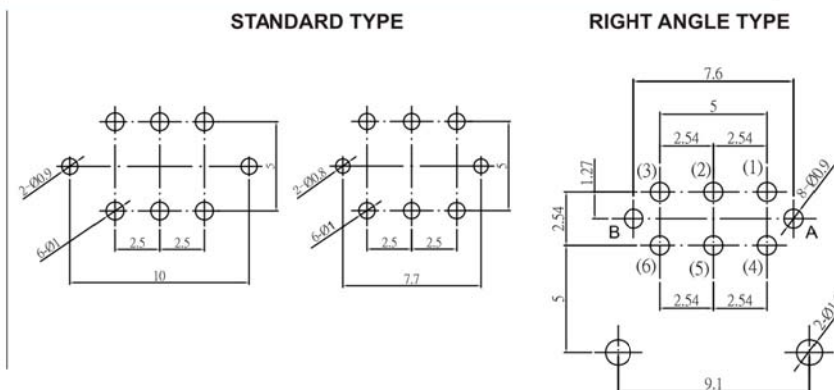
SERIES	OPERATION	POLE	TERMINAL	LED COLOR	LED BRIGHTNESS	LED COLOR	LED BRIGHTNESS	FRAME TYPE	FRAME COLOR	CAP COLOR	CAP SYMBOL
PLA	L	2	P	R	1	R	1	S1	K	T	P5
	N=NON-LOCK L=LOCK TYPE T=TACT TYPE	1=1 POLE 2=2 POLE	P=P.C.B TYPE R=RIGHT ANGLE TYPE R1=R1 TYPE R2=R2 TYPE S1-S1 TYPE S2-S2 TYPE	R=RED G=GREEN B=BLUE Y=YELLOW O=ORANGE W=WHITE N=NONE	1=HIGH 2=STANDARD N=NONE	R=RED G=GREEN B=BLUE Y=YELLOW O=ORANGE W=WHITE N=NONE	1=HIGH 2=STANDARD N=NONE	S1=S1 sq S2=S2 sq S3=S3 sq S4=S4 sq R1=R1 ro R2=R2 ro R3=R3 ro R4=R4 ro R5=R5 ro N=NONE	K=BLACK W=WHITE A=GRAY N=NONE	T=TRANSPARENT R=RED G=GREEN B=BLUE Y=YELLOW O=ORANGE W=WHITE N=NONE	

CAP Symbol: Please refer to cap selection for all available symbols on cap surface, and any customization is welcomed

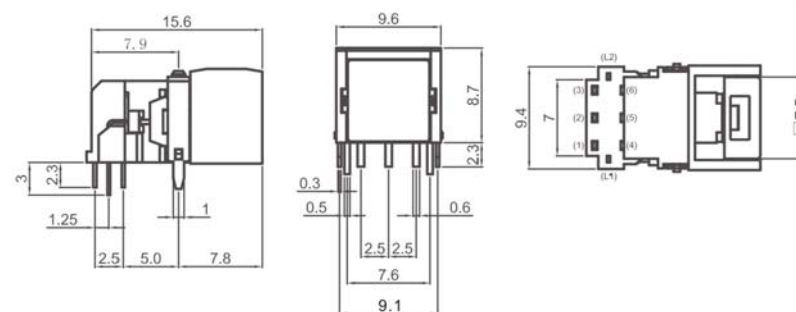
## CIRCUIT



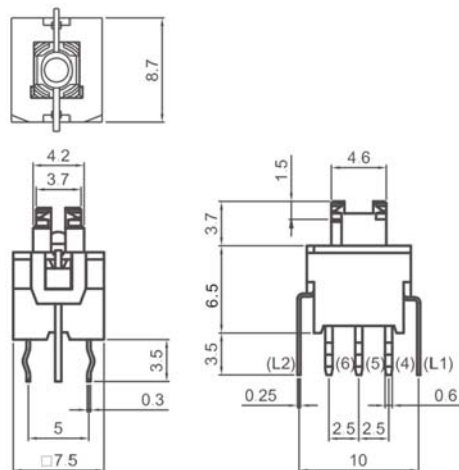
## P. C. B LAYOUT



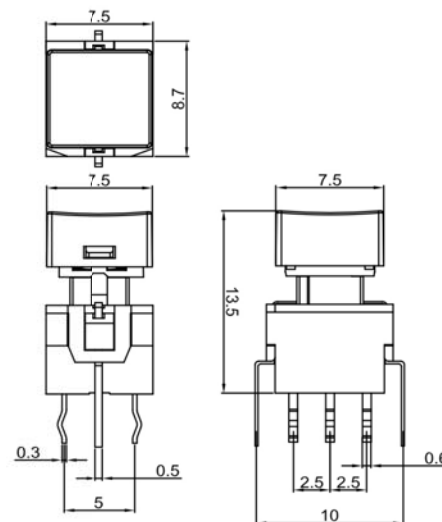
## PLA-L2S2-G1NN-S1KT



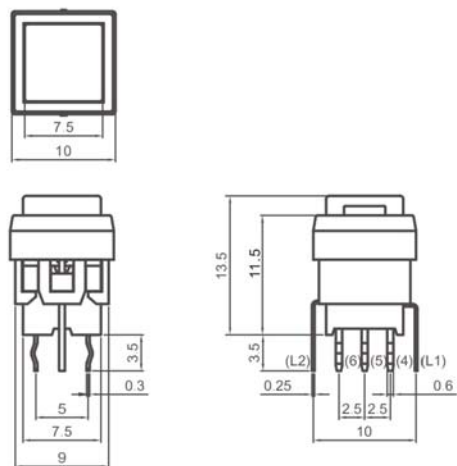
**PLA-L2P-R1NN-NNN**



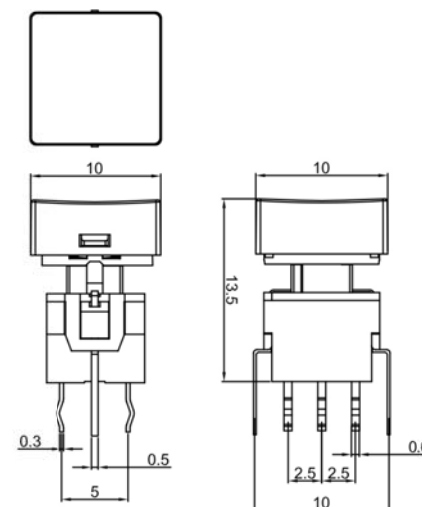
**PLA-L2P-B1NN-S1NT**



**PLA-L2P-B1NN-S1KT**

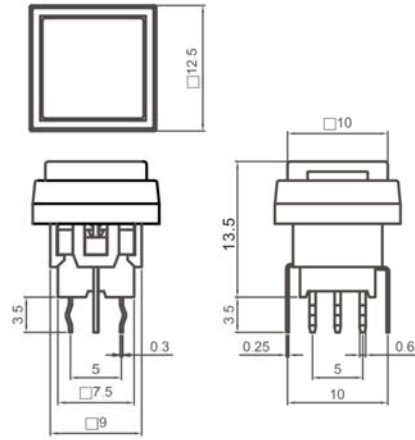


**PLA-L2P-B1NN-S2NT**

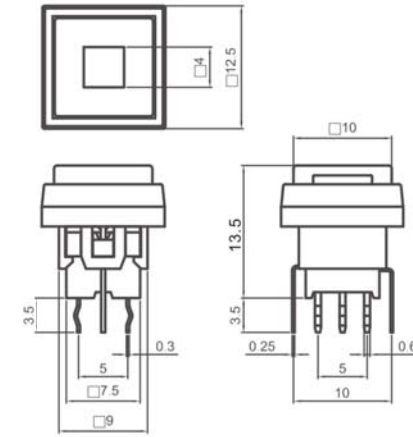
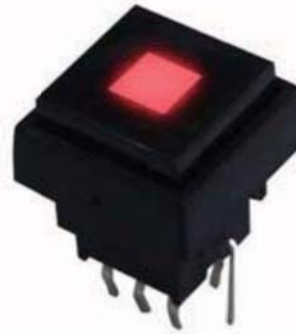




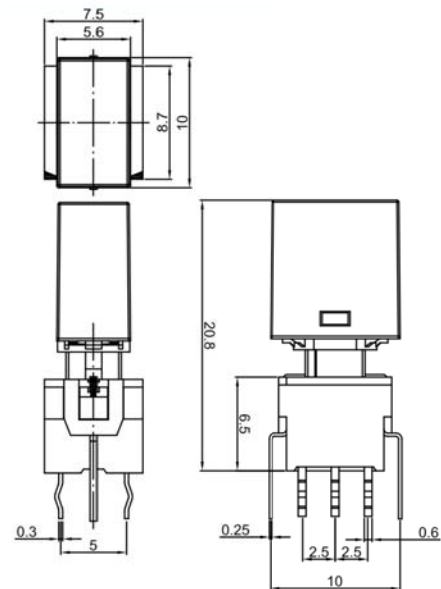
**PLA-L2P-Y1NN-S2KT** ::



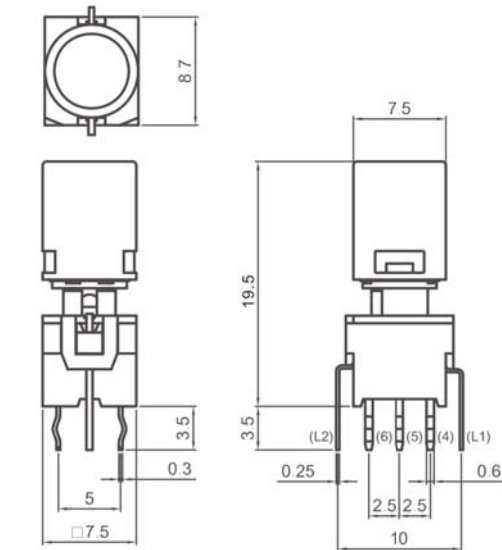
**PLA-L2P-R1NN-S3KT-WKJ16** ::



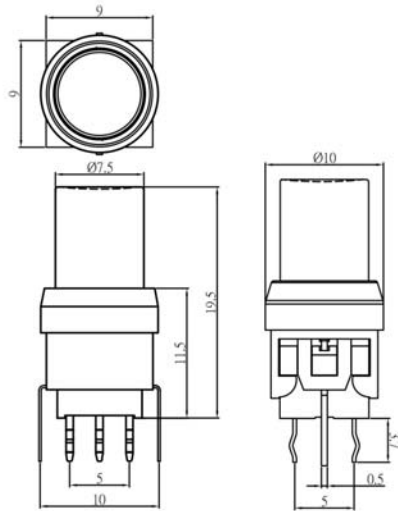
**PLA-L2P-R1G1-S4NW** ::



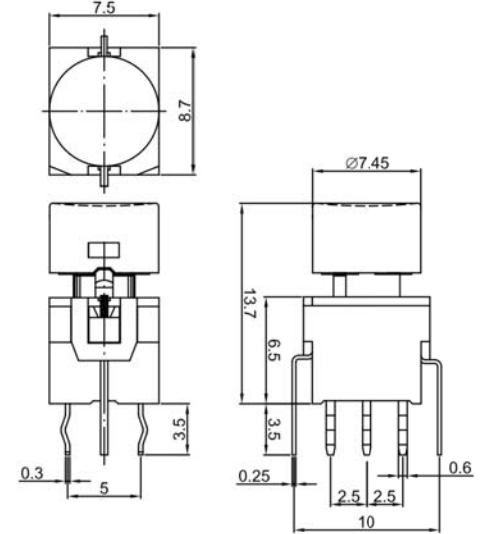
**PLA-L2P-Y1NN-R1NW** ::



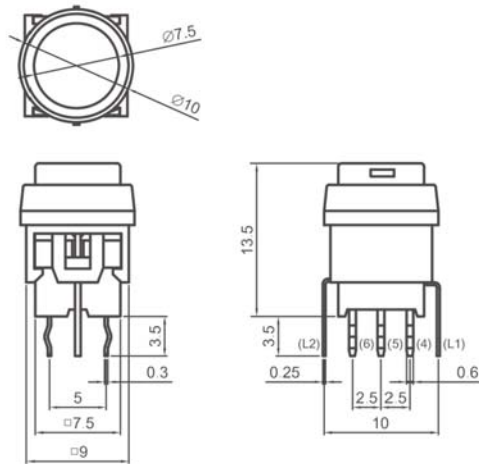
**PLA-L2P-R1NN-R1KW**



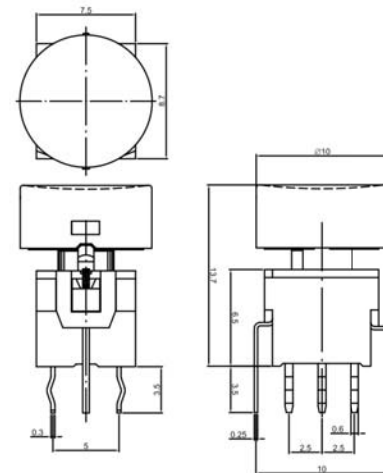
**PLA-L2P-R1NN-R2NWT**



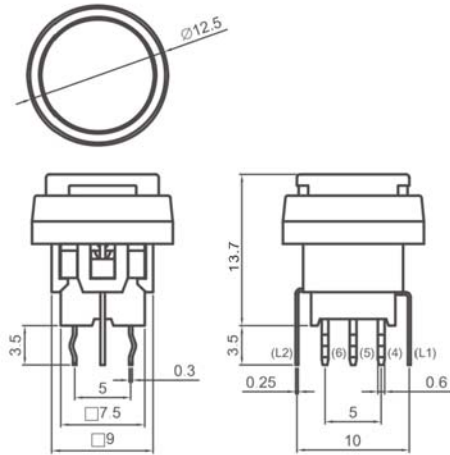
**PLA-N2P-Y1NN-R2KT**



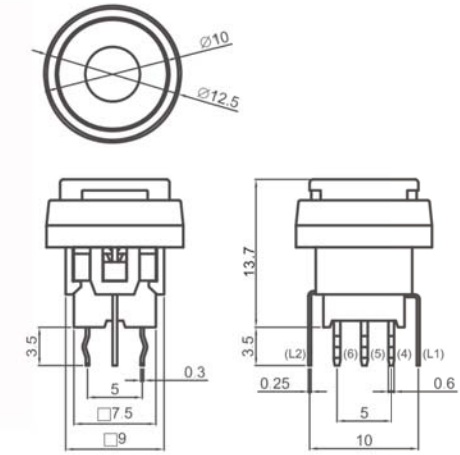
**PLA-L2P-R1NN-R3NWT**



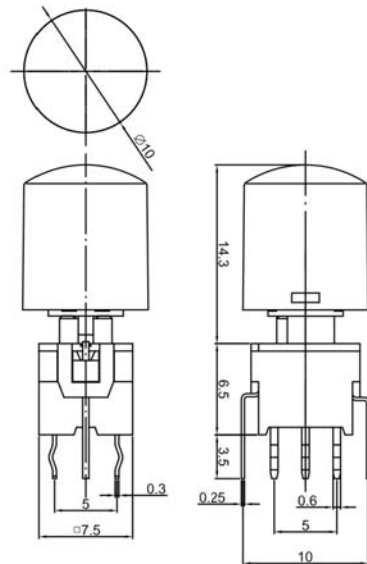
**PLA-L2P-B1NN-R3KT**



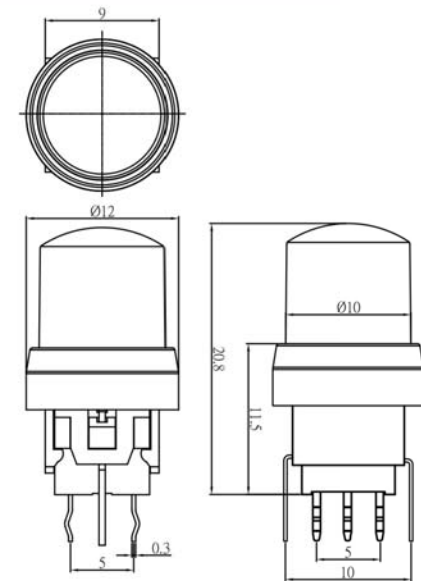
**PLA-L2P-Y1NN-R4KT-WK17**



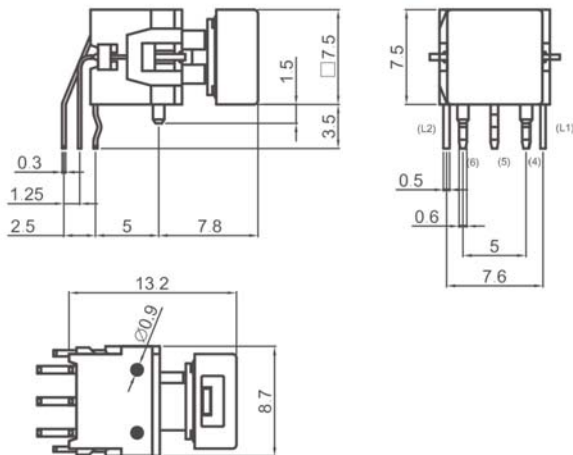
**PLA-L2P-R1NN-R5NW**



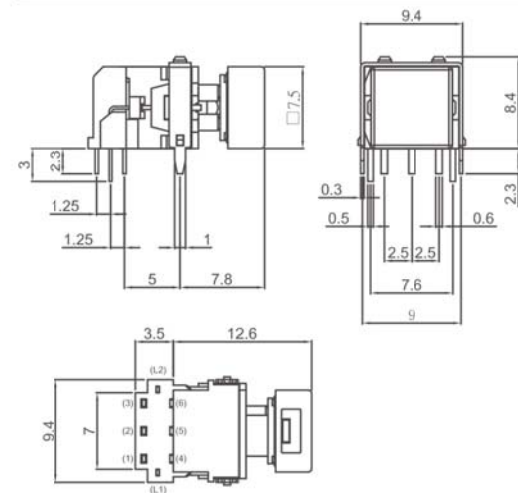
**PLA-L2P-W1NN-R5KW-WK01**



**PLA-L1S0-R1NN-S1NT**



**PLA-L2S1-Y1NN-S1NT**



**PLA-N2R-G1NN-S1KT**

